

## 1.0 Application

Applies to installation of factory supplied single and dual thermocouples on all LCI and RTC infrared furnaces.

## 1.1 Equipment

- Open end hex wrench (9/16").
- Thermocouple height gage or tape measure.
- Thermocouple, single or dual (factory model)
- Permanent marker

## 1.2 Preparation

Shutoff power to furnace.

On one side of the furnace (rear side if possible), remove top side covers in furnace chamber section.

## 1.3 Removal

Locate thermocouple to be replaced.

Unplug thermocouple connector.

With a permanent marker, mark thermocouple shaft at point where the shaft enters hex fitting.

Using open-end wrench, loosen hex nut at chamber port

Grasp base of thermocouple and pull up to extract thermocouple.

## 1.4 Installation

Insert new thermocouple into port opening.

Place height gage in position and lower thermocouple until it rests on the height gage as shown in figure 1-3 and 1-4.

If height gage is not available position thermocouple bend to 2.5 inches (63.5 mm) above chamber top.

Gently tighten tube fitting until snug.

Do not over tighten.

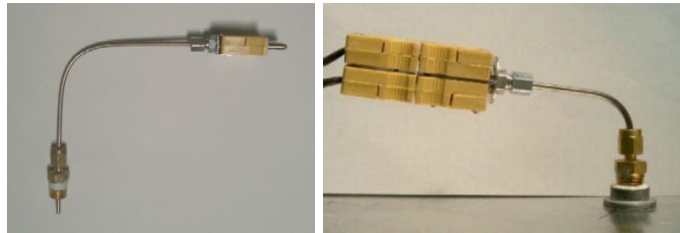


Figure 1-1 Thermocouple, single and dual

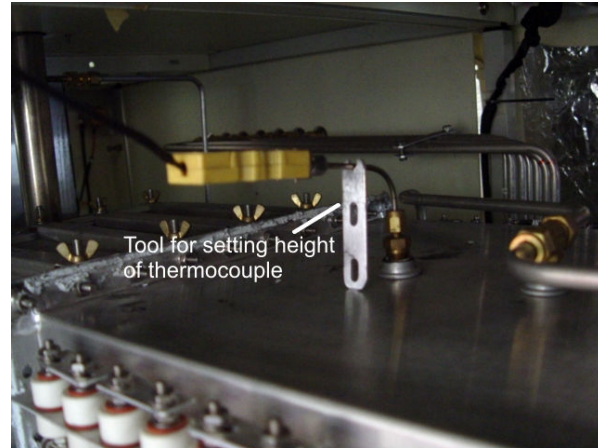


Figure 1-2 Thermocouple in chamber

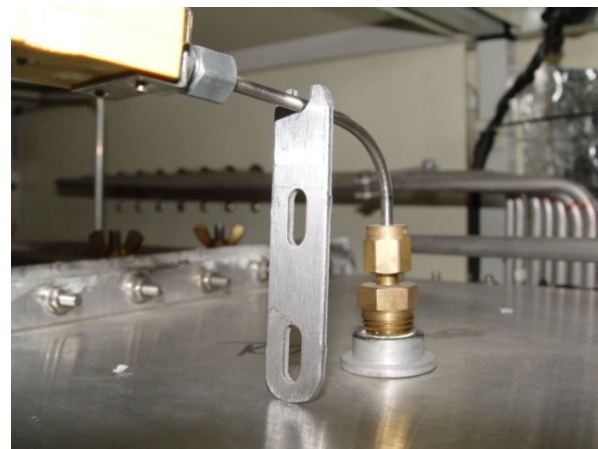


Figure 1-3 Thermocouple Height Gage

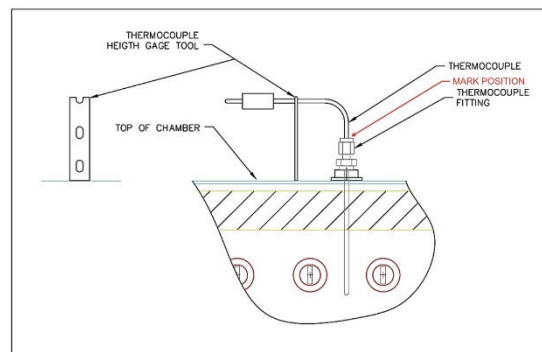


Figure 1-4 Thermocouple Installation