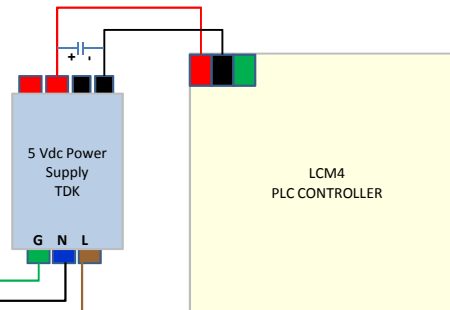
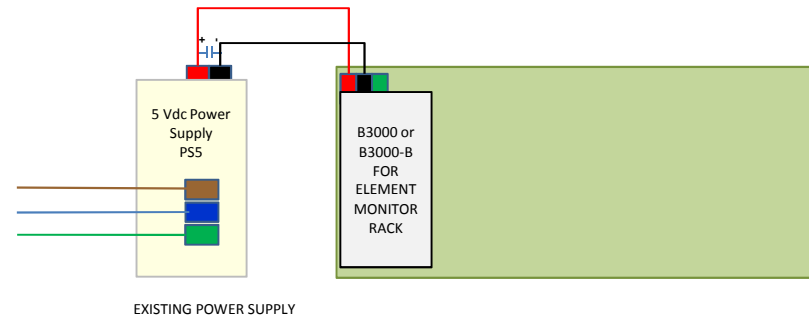
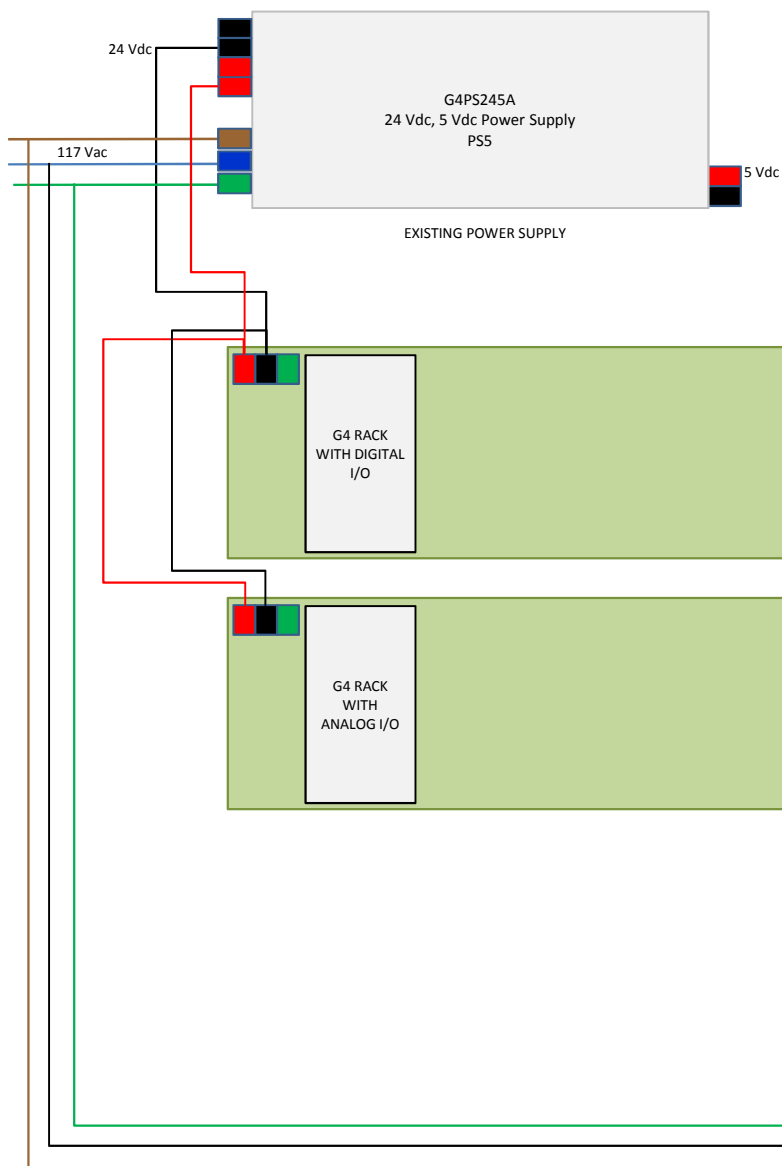


AFTER INSTALLATION AND WIRING IS COMPLETE	
Doc Nbr	TEC-555
Title	ADDING A NEW POWER SUPPLY
Date	8/22/2016
	Page 1 of 2



**NOTES:**

1. MOUNT NEW POWER SUPPLY NEAR LCM4 CONTROLLER
2. RUN NEW 117 Vac WIRES (BRN, BLU, GRN/YEL) FROM EITHER EXISTING POWER SUPPLY TO NEW POWER SUPPLY POWER VAC TERMINALS.
3. DISCONNECT RED/BLACK WIRES FROM LCM4 TO OLD POWER SUPPLY AND RECONNECT TO NEW POWER SUPPLY.
4. ADD TANTALUM CAPACITOR ACROSS TERMINALS OF NEW POWER SUPPLY.

<b>AFTER INSTALLATION AND WIRING IS COMPLETE</b>	
Doc Nbr	<b>TEC-555</b>
Title	<b>ADDING A NEW POWER SUPPLY</b>
Date	8/22/2016
	Page 2 of 2