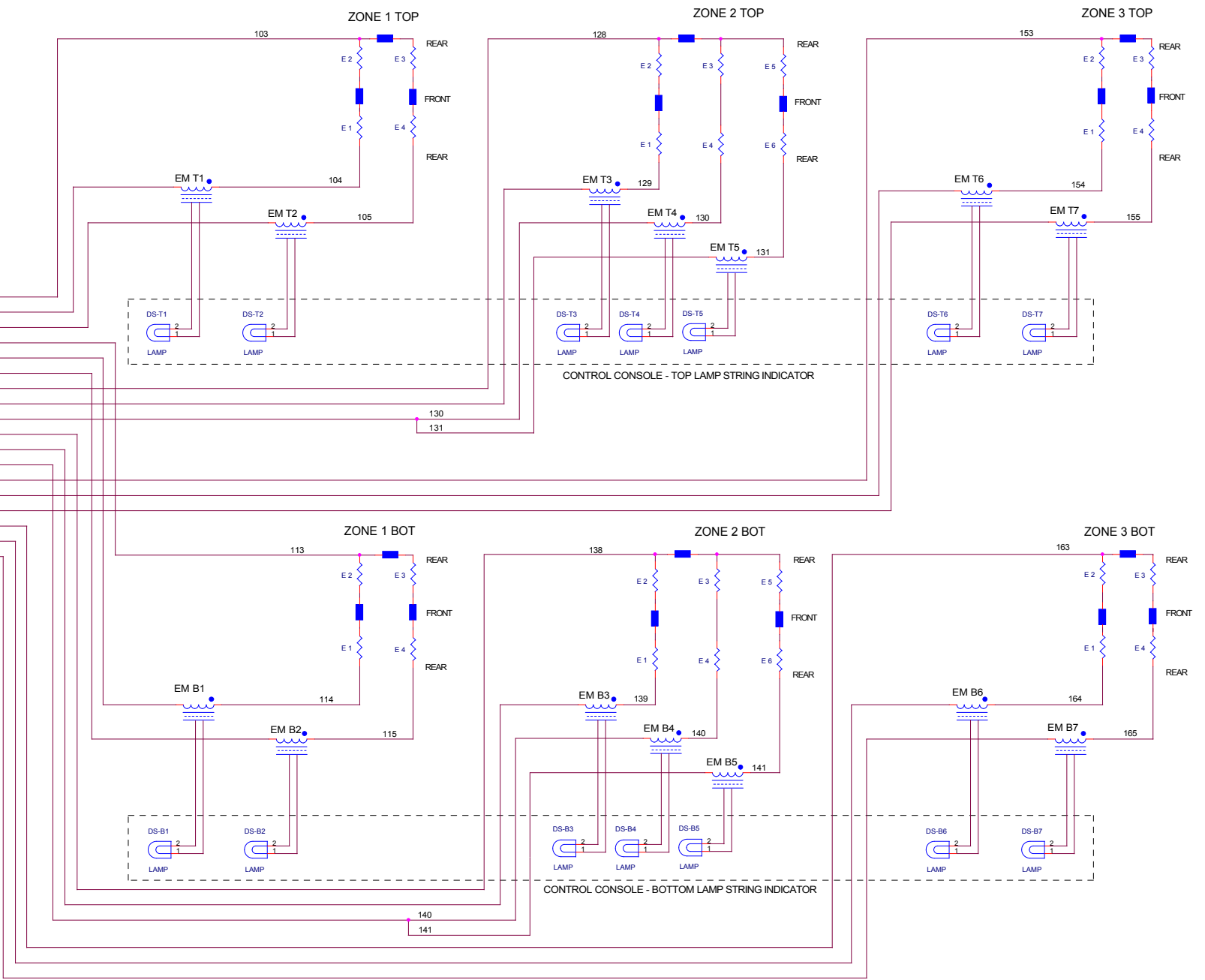


NOTES
1. ALL WIRE #14 AWG



REV	DESCRIPTION	DATE	APPROVED
3	ZONE 2, NOW 3 2-LAMP STRINGS	09/27/2012	S BARBER
2	CHANGED LAMP FRONT/REAR CONNECTIONS & 802-101780 ID	09/12/2012	S BARBER
1	CHANGED WIRE NUMBERS ON ZONES	07/26/2012	S BARBER

APPROVALS		DATE	Title	
DRAWN	J CLARK	07/12/2012	ELEMENT WIRING - HI POWER	
CHECKED	S BARBER	07/13/2012	Size	Document Number
ISSUED	J CLARK	07/13/2012	C	STD 802-101814-306HP

Model: LA-306
 DIVISION OF LOCHABER CORNWALL, INC.
 675 NORTH ECKHOFF STREET, BLDG D, ORANGE, CA 92668 USA
 Date: Saturday, March 01, 2014 | Sheet 1 of 3