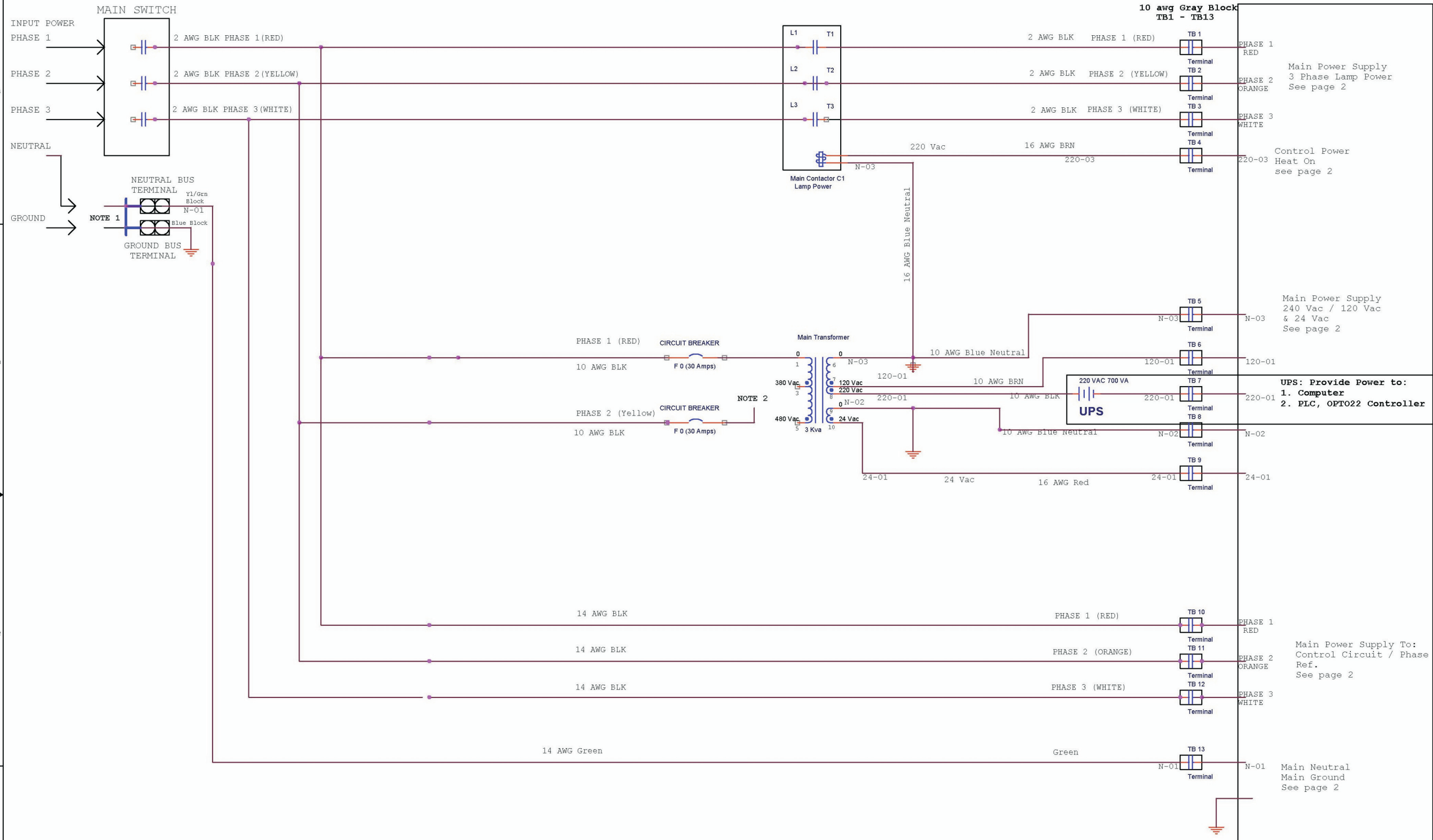
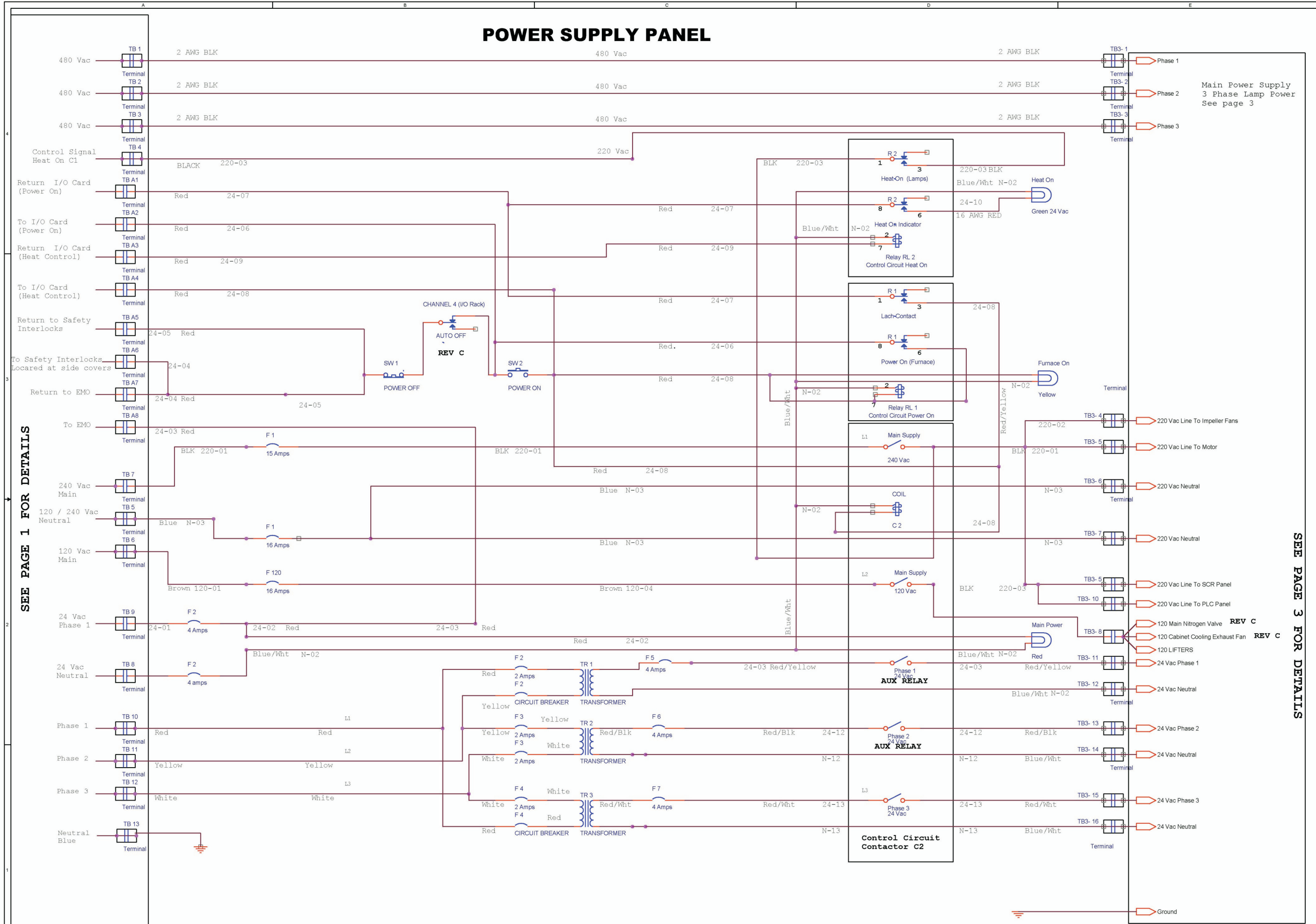


SAFETY ENCLOSURE PANEL



NOTE 1:
 - 5 WIRE SYSTEM: REMOVED JUMPER
 - 4 WIRE SYSTEM: ADD JUMPER
 NOTE 2:
 - Tap transformer according input power

POWER SUPPLY PANEL



SEE PAGE 1 FOR DETAILS

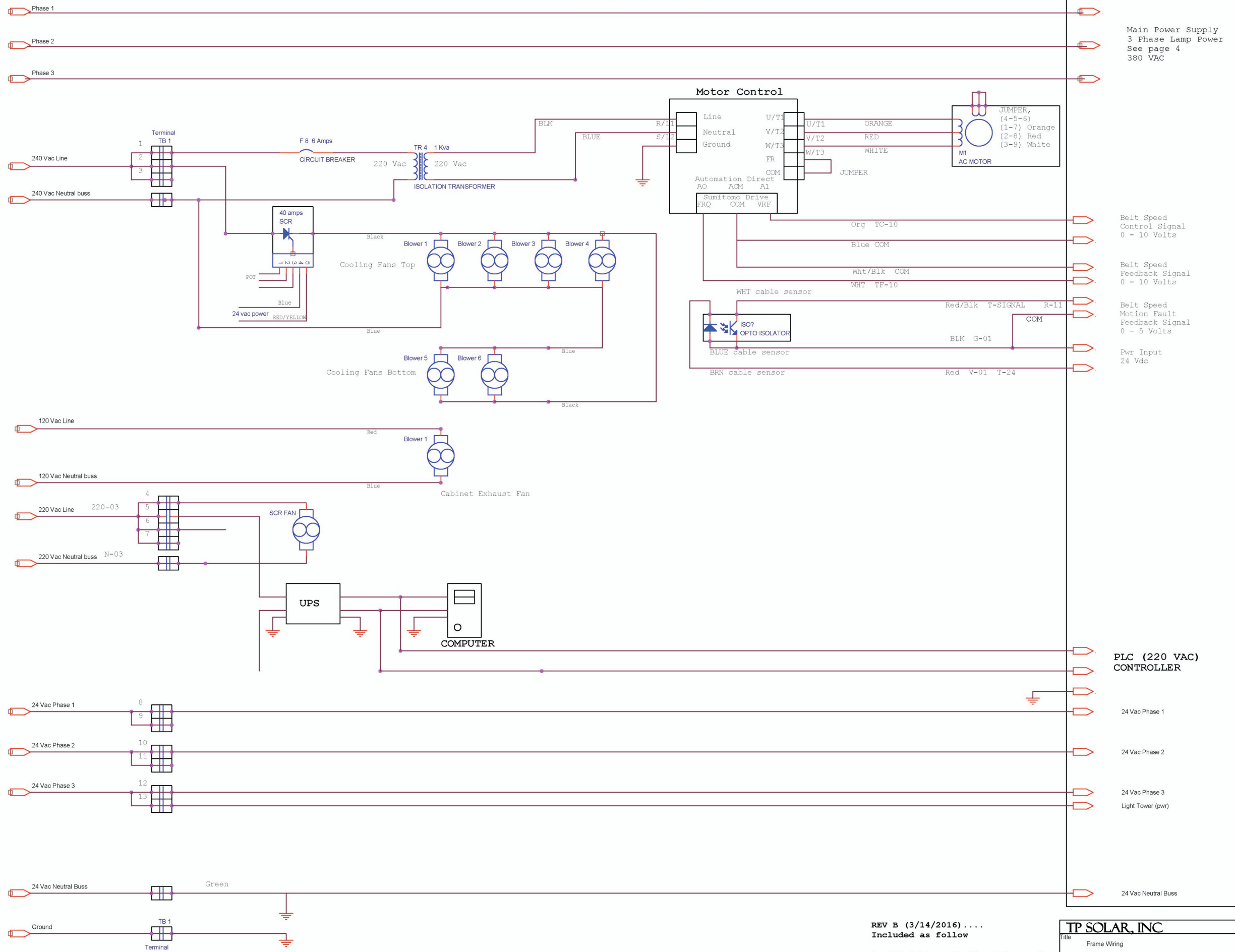
SEE PAGE 3 FOR DETAILS

Main Power Supply
3 Phase Lamp Power
See page 3

- REV C... Included as follow
1. 120 Main Nitrogen Valve
 2. 120 Cabinet Cooling Exhaust
 3. Auto Off

| | | |
|---------------|------------------------------|--------|
| TP SOLAR, INC | | |
| Title | POWER CONTROL CIRCUIT | |
| Size | Document Number | Rev |
| C | 800-10001 | C |
| Date: | Thursday, September 03, 2015 | Sheet |
| | | 2 of 6 |

FRAME WIRING

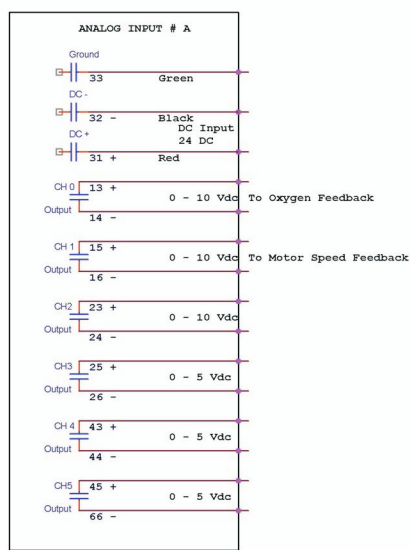
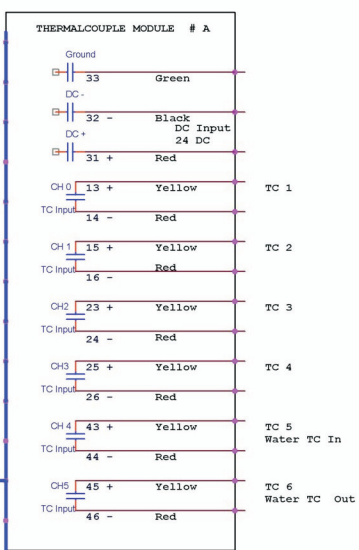
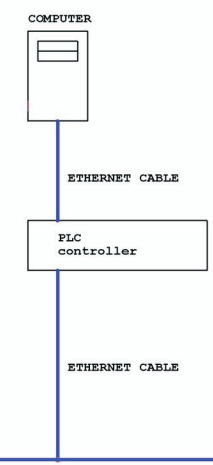
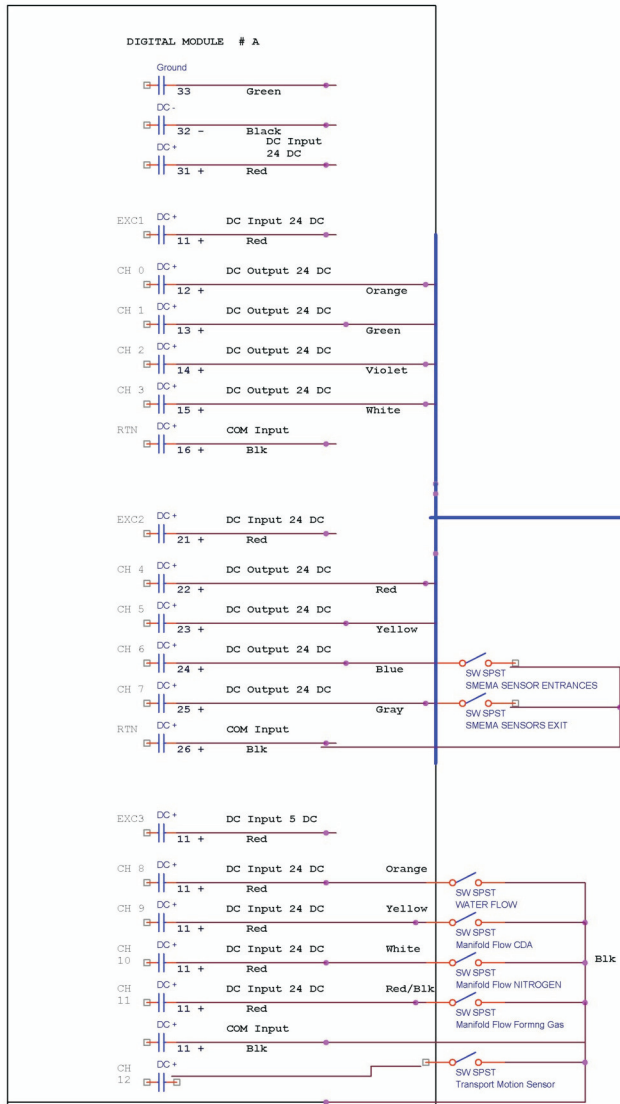


SEE PAGE 2 FOR DETAILS

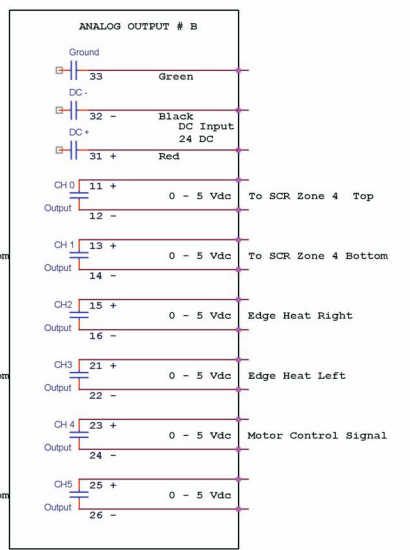
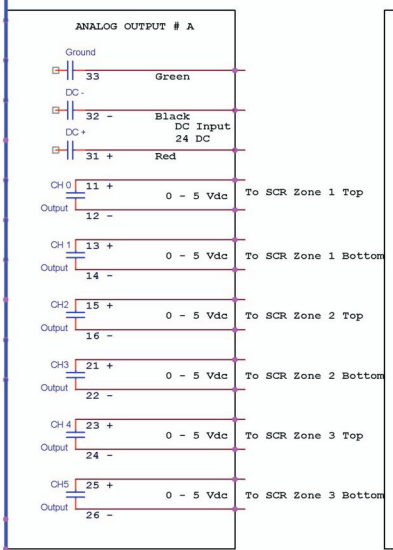
REV B (3/14/2016)
Included as follow

1. 120 Cabinet Cooling Exhaust Fan

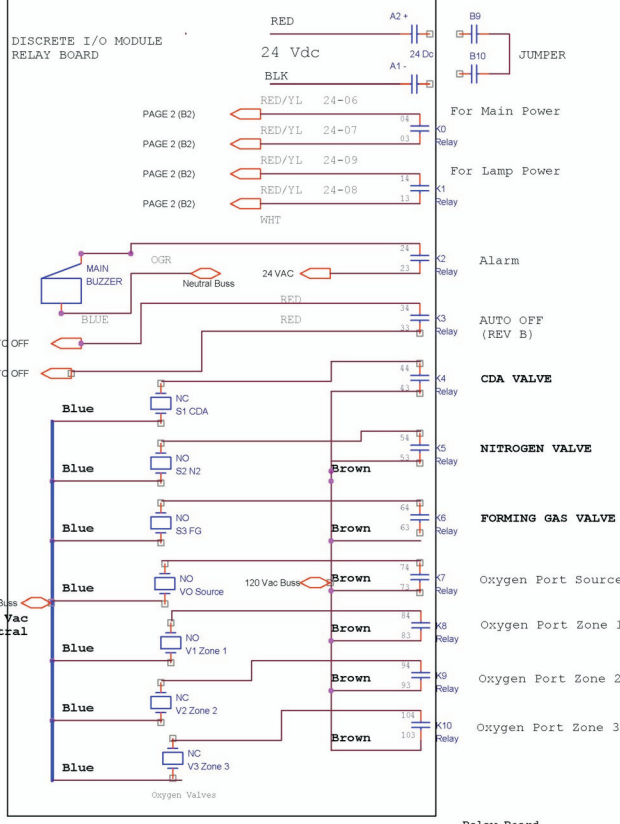
| | | |
|---------------|------------------------------|--------------|
| TP SOLAR, INC | | |
| Title | Frame Wiring | |
| Size | Document Number | Rev |
| C | 800-10001 | B |
| Date: | Thursday, September 03, 2015 | Sheet 3 of 6 |



FOR DETAILS OF MOTOR CONTROL SEE PAGE 3 (E4)

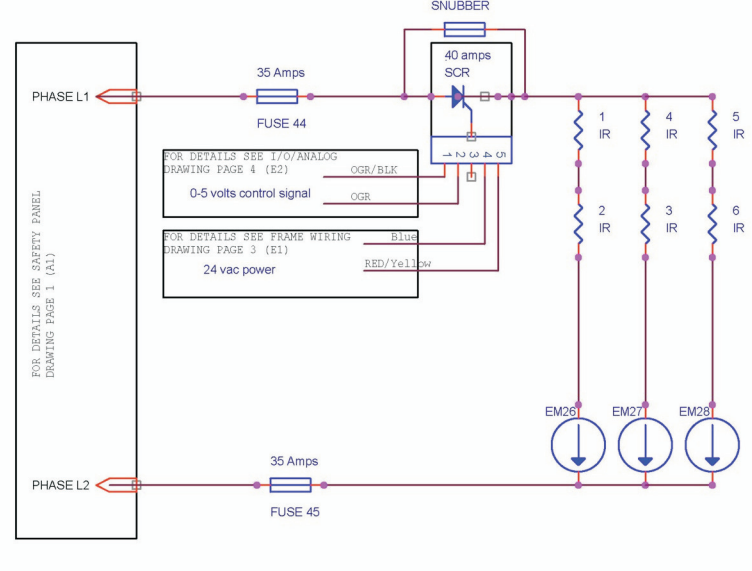
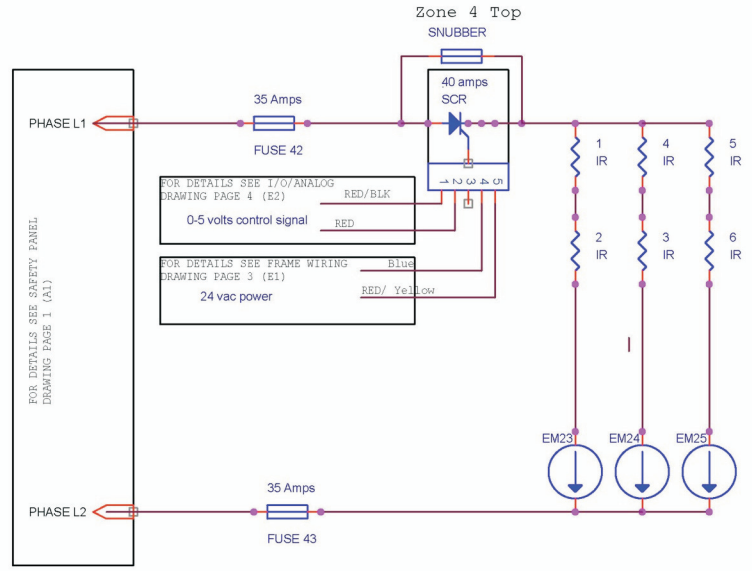
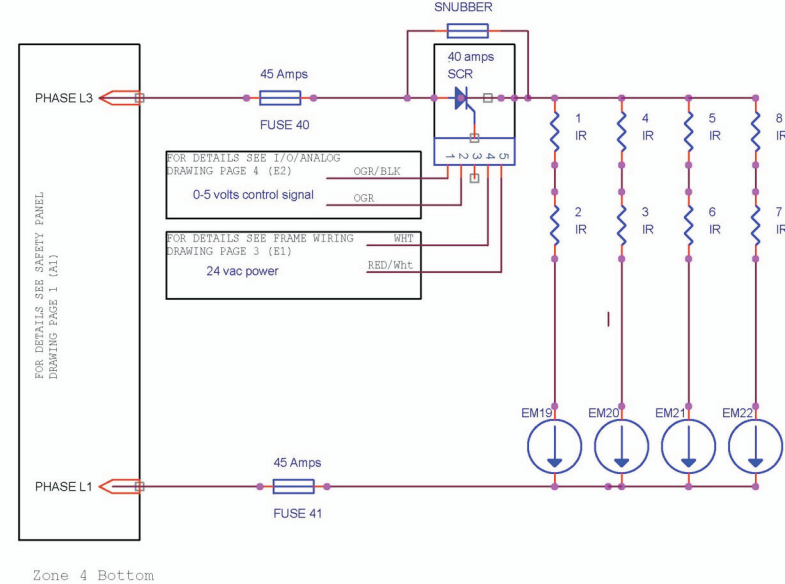
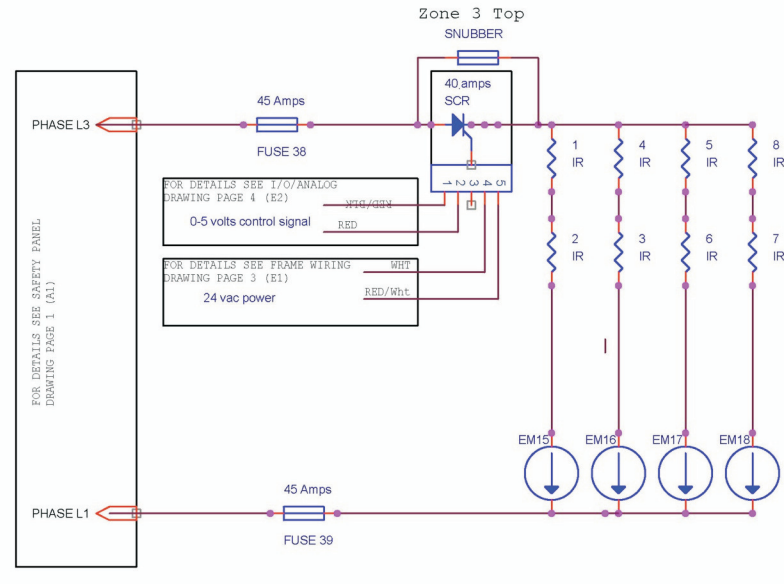
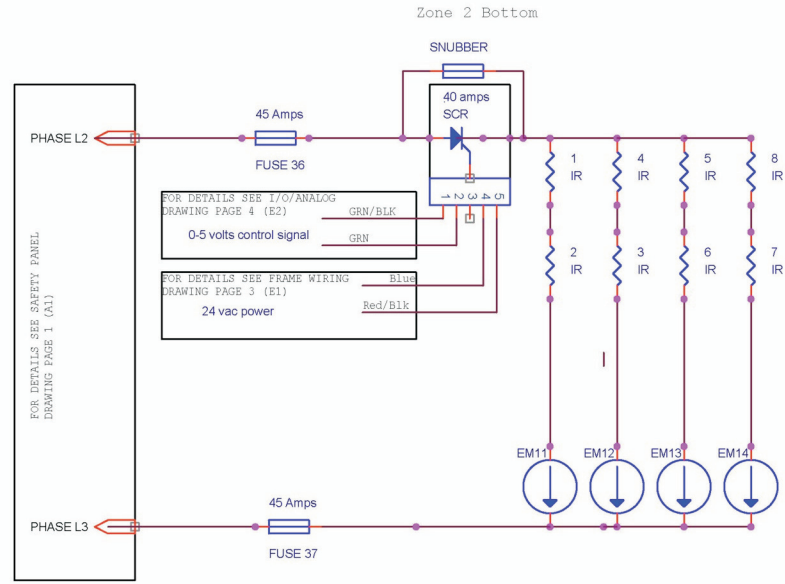
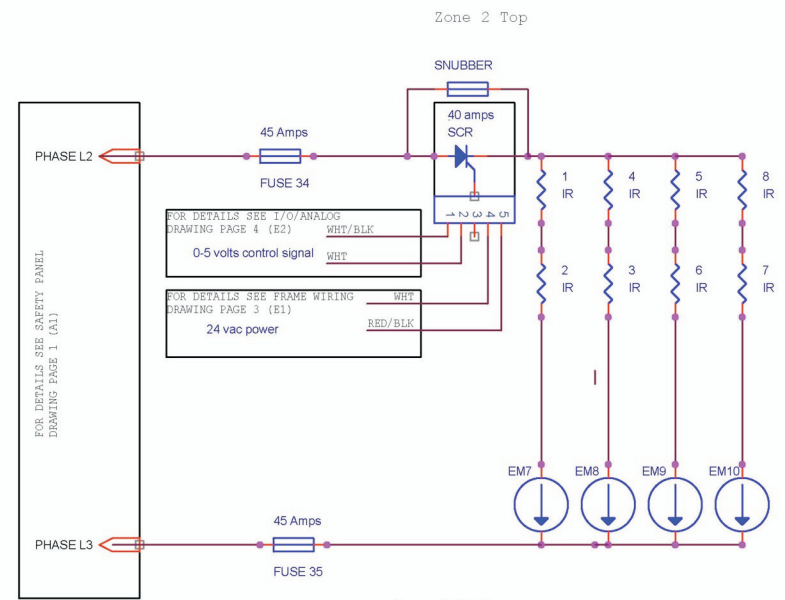
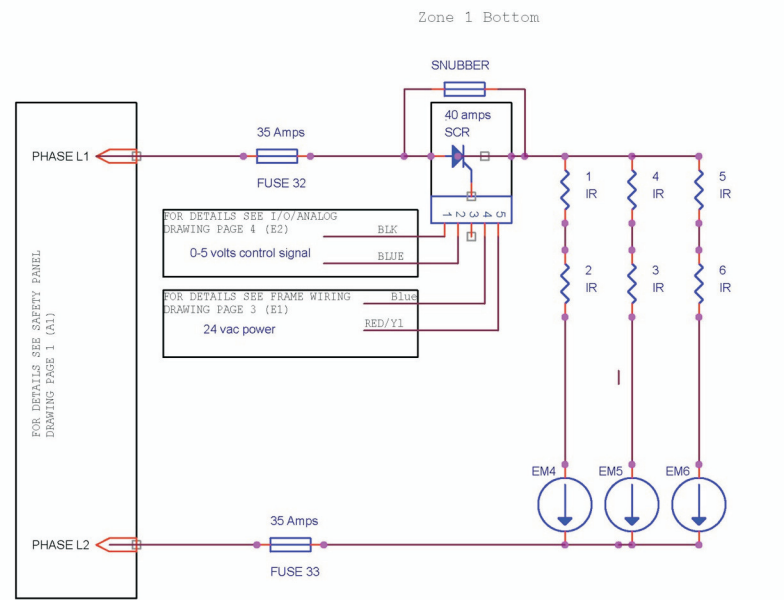
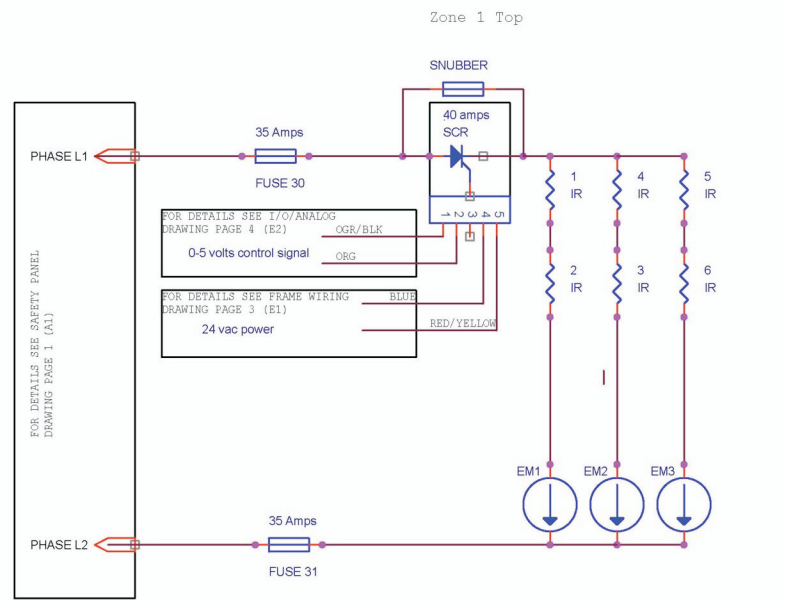


DETAILS OF ALL SCR CONTROL SIGNAL SEE ELEMENT WIRING CONTROL DRAWING



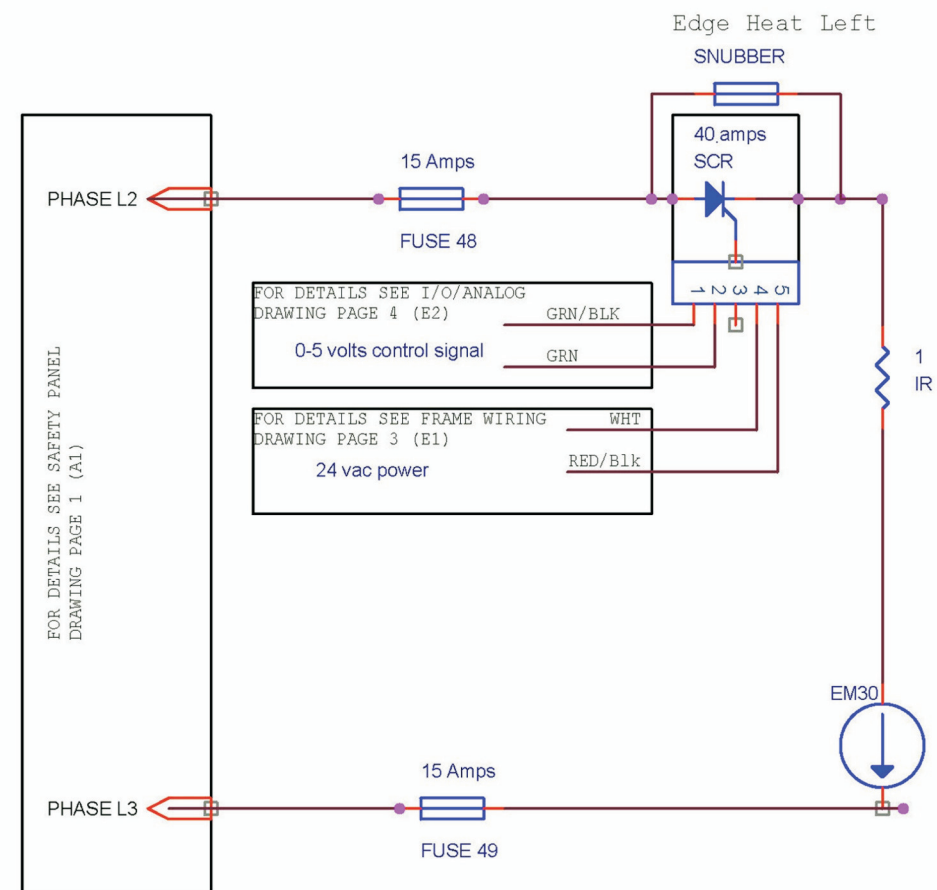
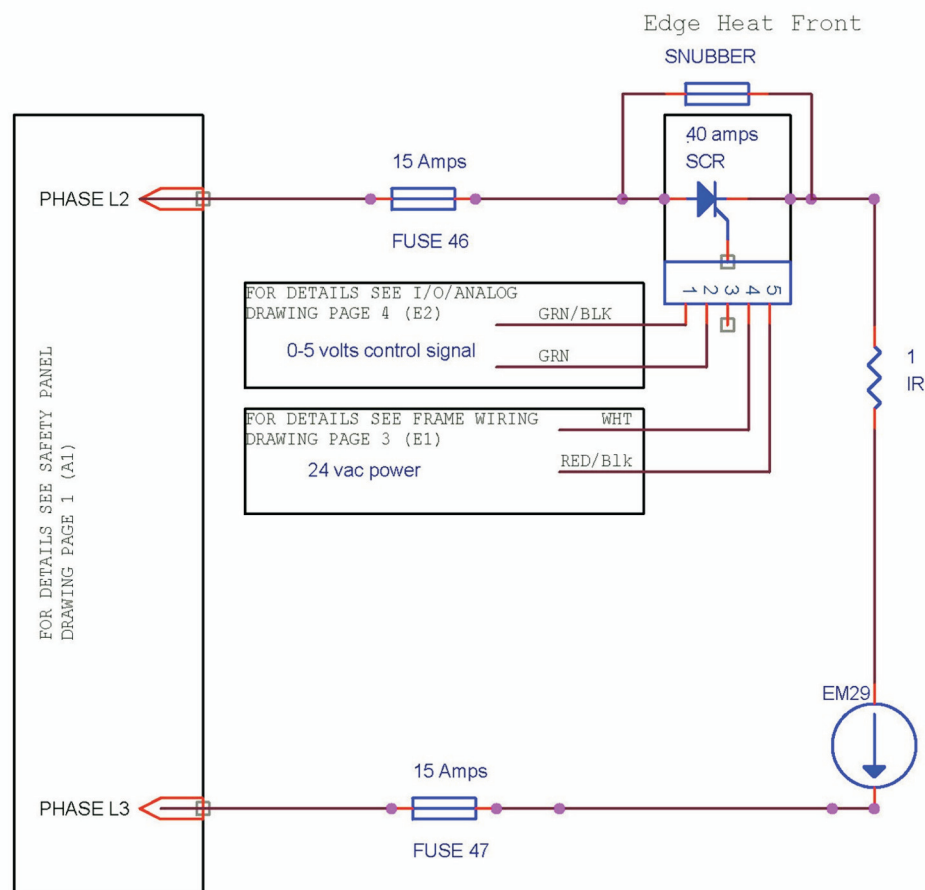
Relay Board

- REV B... Included as follow
- 120 Main Nitrogen Valve
 - SMEMA SENSORS
 - Auto Off



REV B (3/14/2016) ...
Included as follow
1. Added SNUBBER

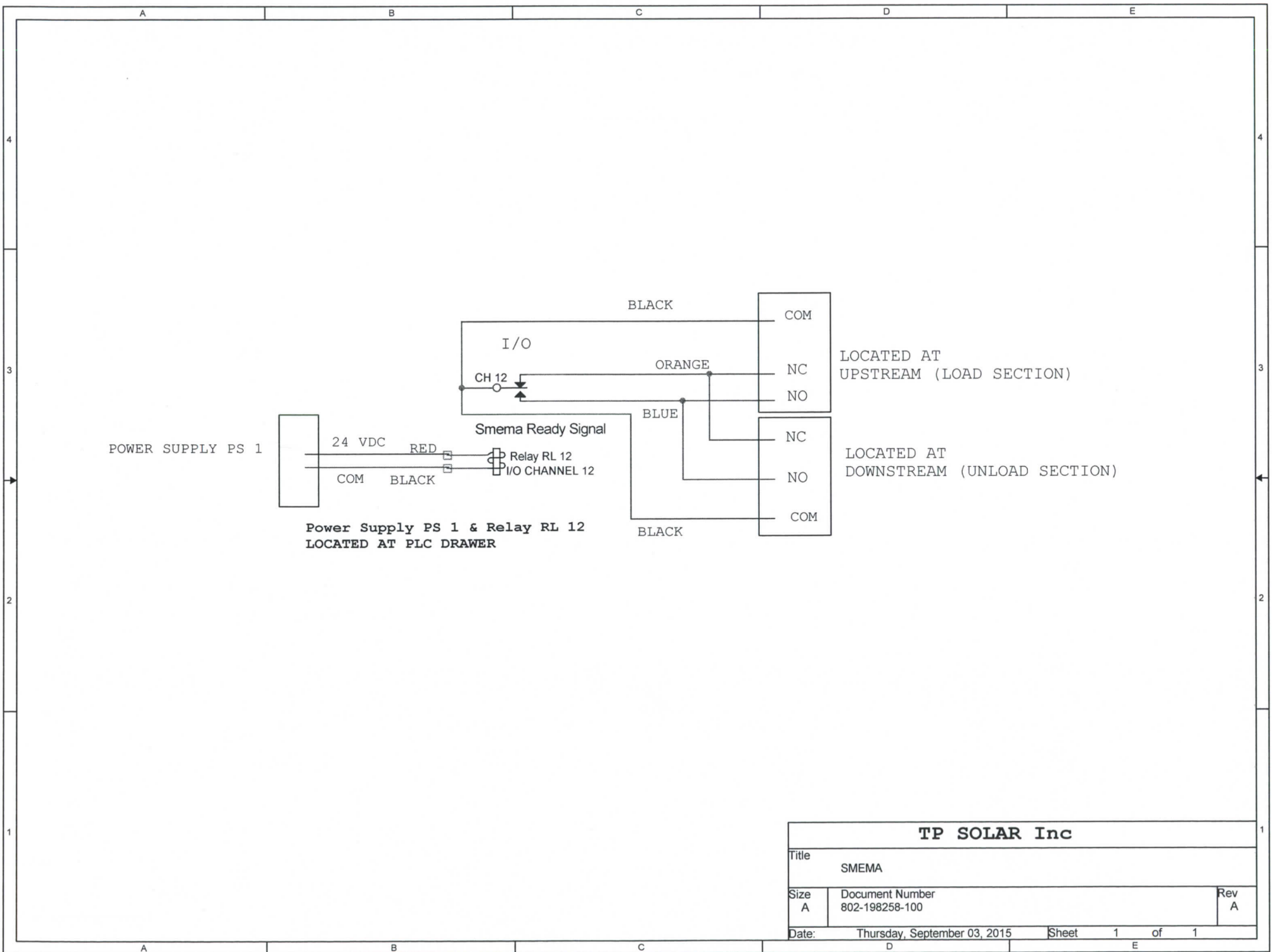
| | | |
|---------------|----------------------------|--------------|
| TP Solar, Inc | | |
| Title | Element Wiring 4020 | |
| Size | Document Number | Rev |
| C | 800-10001 | B |
| - | - | - |
| Date: | Friday, September 04, 2015 | Sheet 5 of 6 |



REV B (3/14/2016)....
Included as follow

1. Added the Snubber

| | | |
|-------------------------------------|------------------------------|----------|
| TP Solar, Inc | | |
| Title EDGE HEAT | | |
| Size Custom | Document Number 800-10001 | Rev A |
| Date: Friday, September 04, 2015 | Sheet 6 | of 6 |



| | | | |
|---------------------|------------------------------|-------|--------|
| TP SOLAR Inc | | | |
| Title | | | |
| SMEMA | | | |
| Size | Document Number | Rev | |
| A | 802-198258-100 | A | |
| Date: | Thursday, September 03, 2015 | Sheet | 1 of 1 |